

## 规格

### 设计

两位三通和两位五通电磁阀

### 有效截面积

25mm<sup>2</sup>(CV=1.40)或30mm<sup>2</sup>(CV=1.68)

### 接管口径

进气 = 出气 = 排气 = 1/4"

进气 = 出气 = 排气 = 3/8"

进气 = 出气 = 排气 = 1/2"

### 工作介质

经40微米过滤的空气

### 动作方式

内部先导式

### 使用压力

0.15 - 0.8Mpa

### 最大耐压力

1.2Mpa

### 工作温度

5°C - +50°C

### 电压范围

±10%

### 耗电量

AC: 5.5W

DC: 4.8W

### 绝缘性及防护等级

H级 IP65

### 接线形式

出线式或端子式

### 最高动作频率

每秒五次

### 最短励磁时间

0.05秒

以上信息仅供参考，本公司保留修改的权利，恕不另行通知

## Specification

### DESIGN

2/3-way and 2/5-way solenoid valve

### EFFECTIVE SECTION AREA

25mm<sup>2</sup>(CV=1.40)or30mm<sup>2</sup>(CV=1.68)

### JOINT PIPE DIAMETER

Air inlet =Air outlet=Exhaust=1/4"

Air inlet =Air outlet=Exhaust=3/8"

Air inlet =Air outlet=Exhaust=1/2"

### WORKING MEDIUM

40 micron filtered air

### MOTION PATTERN

Inner guide type

### WORKING-PRESSURE

0.15-0.8Mpa

### MAX.PRESSURE RESISTANCE

1.2Mpa

### OPERATING TEMPERATURE

5°C - +50°C

### VOLTAGE RANGE

±10%

### POWER CONSUMPTION

AC: 5.5W

DC: 4.8W

### INSULATION &PROTECTION CLASS

H Class. IP65

### WIRING FORM

Lead wire or connector type

### HIGHEST ACTION FREQUENCY

5 cycles/sec

### SHORTEST EXCITATION TIME

0.05 Seconds

The above information is for reference only and Eicmation reserves the right to alter without prior notice

型号:  
DX/DY

换向电磁阀

两位三通  
两位五通



Type:  
DX/DY

Reversing solenoid valve

2/3-way  
2/5-way

举例说明: 比如 DX110110

=两位五通电磁阀,单线圈,1/4",非防爆,12V DC,标准端子式,贴面安装

电磁阀

1 + 2. 字符 产品	3. 字符 线圈	4. 字符 口径	5. 字符 防爆等级	6. 字符 电压	7. 字符 接线形式	8. 字符 连接形式
DX=两位五通电磁阀 DY=两位三通电磁阀	1=单线圈 2=双线圈	1=1/8" 2=1/4" 3=3/8" 4=1/2"	0=无 1=Ex mb II T5 2=Ex ia II CT6 3=Exd II CT6	1=12V DC 2=24V DC 3=24V AC 50Hz/60Hz 4=110V AC 50Hz/60Hz 5=220V AC 50Hz/60Hz 6=380V AC 50Hz/60Hz	1=标准端子式 2=引线式	0=NAMUR T=管接式

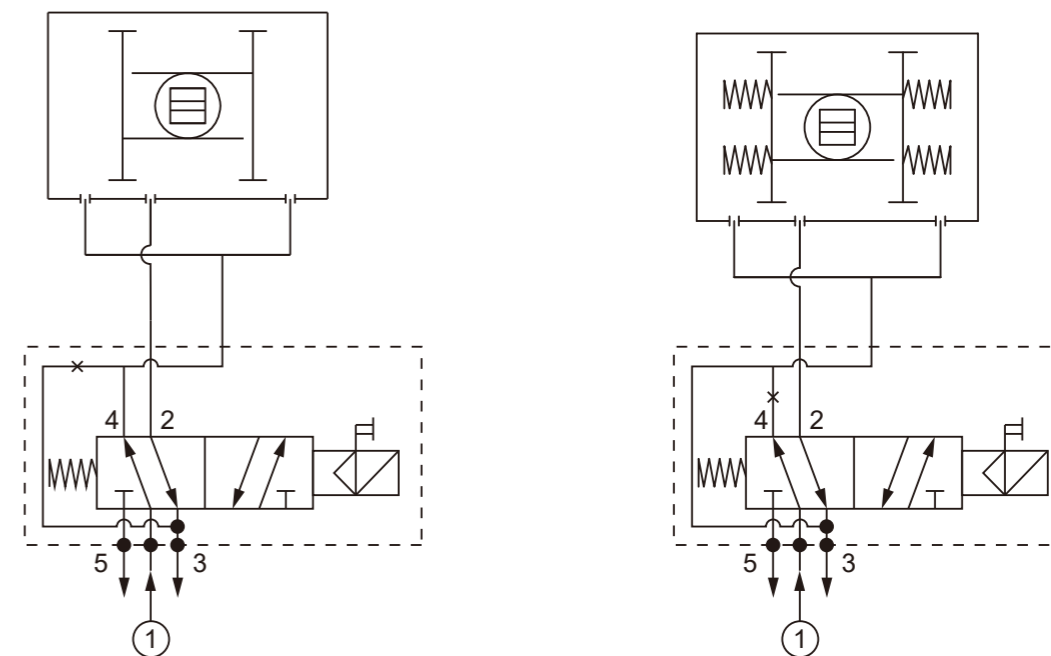
Ordering example:e.g. DX110110

= 2-position 5-way solenoid valve,Single coil,1/4",Pipe connection,12V DC,Standard connector,1F

Solenoid valve

A + B. Type	C. Enclosure	D. Caliber	E. Grade	F. Voltage	G. Connection form	H. Connection Type
DX=2/5-way solenoid valve DY=2/3-way solenoid valve	1=Single coil 2=Double coil	1=1/8" 2=1/4" 3=3/8" 4=1/2"	0=NO 1=Ex mb II T5 2=Ex ia II CT6 3=Exd II CT6	1=12V DC 2=24V DC 3=24V AC 50Hz/60Hz 4=110V AC 50Hz/60Hz 5=220V AC 50Hz/60Hz 6=380V AC 50Hz/60Hz	1=Standard connector 2=Lead wire type	0=NAMUR T=Pipe connector

## 功能与描述/Function and description

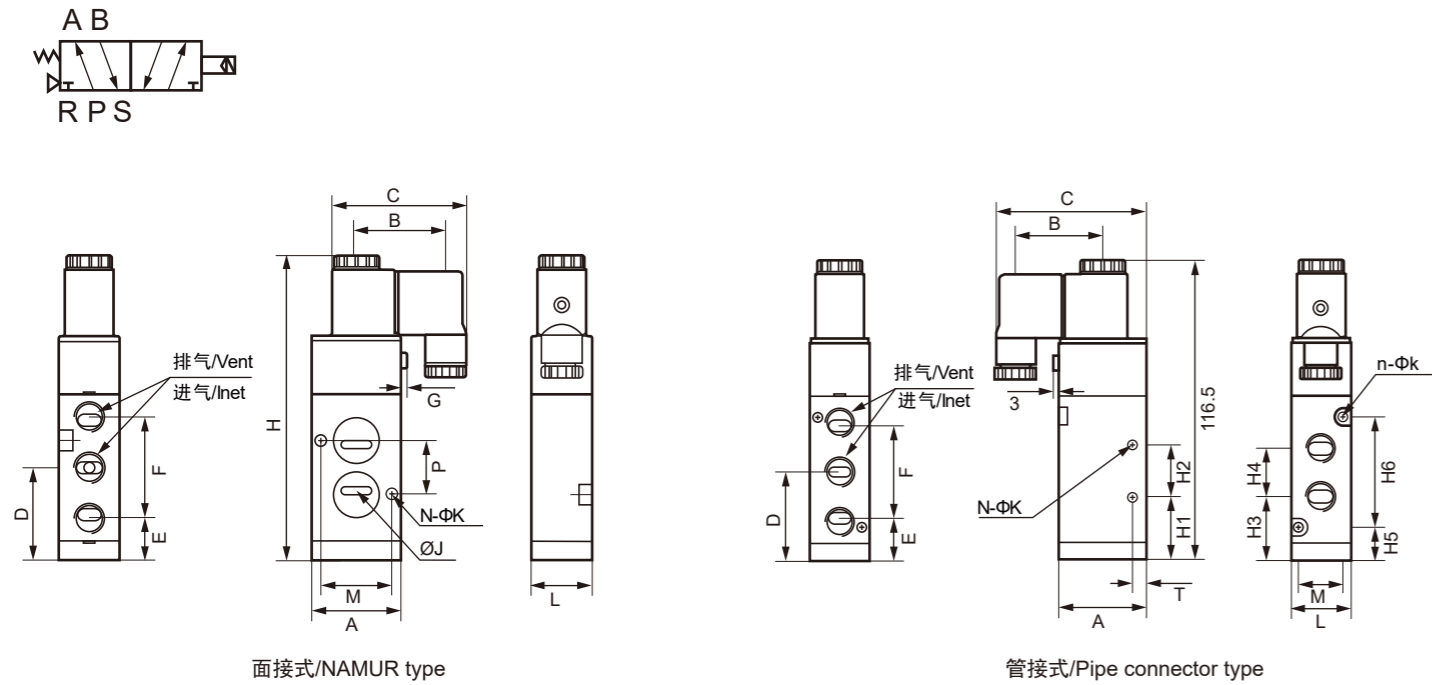


两位五通通用气动双作用  
2/5-way apply to pneumatic double acting

两位三通通用气动单作用  
2/3-way apply to pneumatic single acting

### 尺寸/Dimension

两位五通电磁阀-单线圈/2/5-way solenoid valve - Single coil



面接式/NAMUR type

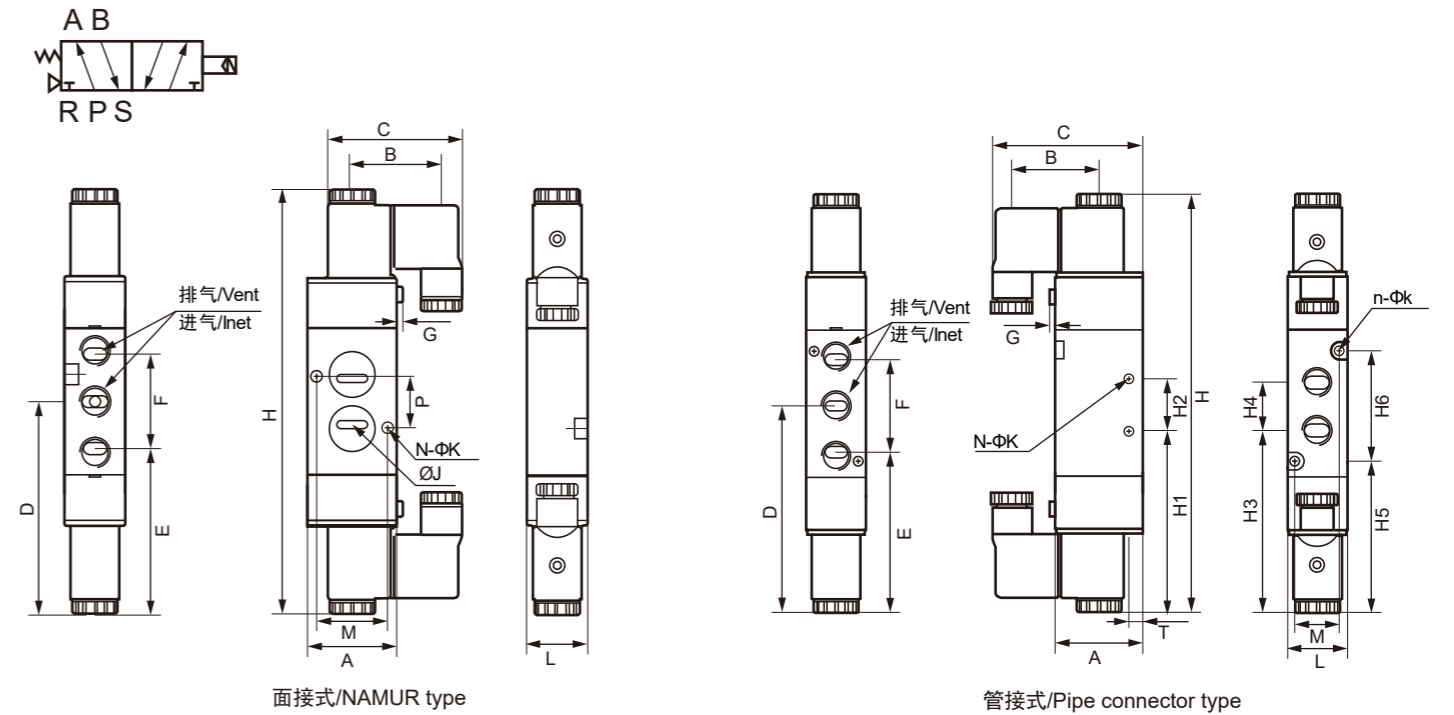
SIZE	L	A	H	B	C	D	E	F	G	ØJ	N-ØK	M	P	进气 /Inet	排气 /Vent
G1/8	22	35	116.5	40	66.5	31.5	13.5	36	3	Ø18X1.4	2-Ø4.3	29	20	3-G1/8	
G1/4	27	40	134.5	40	69	40	17.5	45	2.4	Ø20X1.4	2-Ø5.5	32	24	3-G1/4	
G3/8	27	40	134.5	40	69	40	17.5	45	2.4	Ø20X1.4	2-Ø5.5	32	24	G3/8	2-G1/4
G1/2	27	55	178.5	40	76.5	57	25.5	63	3	Ø27.5X1.4	2-Ø6.5	45	40	3-G1/2	

管接式/Pipe connector type

SIZE	L	A	H	B	C	D	E	F	G	N-ØK	n-Øk	H1	H2	H3	H4	H5	H6	T	M	进出气 /INET	排气 /Vent
G1/8	22	35	116.5	40	66.5	31.5	13.5	36	3	2-Ø4.3	2-Ø3.2	21.5	20	22.5	18	12.5	38	7	17	5-G1/8	
G1/4	27	40	134.5	40	69	40	17.5	45	2.4	2-Ø4.3	2-Ø4.3	28	24	29	22	15	50	6.5	20	5-G1/4	
G3/8	27	40	134.5	40	69	40	17.5	45	2.4	2-Ø4.3	2-Ø4.3	28	24	29	22	15	50	6.5	20	3-G3/8	2-G1/4
G1/2	34	50	169.1	40	73.8	57	25.5	63	3	2-Ø5.5	2-Ø4.3	43	28	39	36	21	72	7.5	26	5-G1/2	

### 尺寸/Dimension

两位五通电磁阀-双线圈/2/5-way solenoid valve - Double coil



面接式/NAMUR type

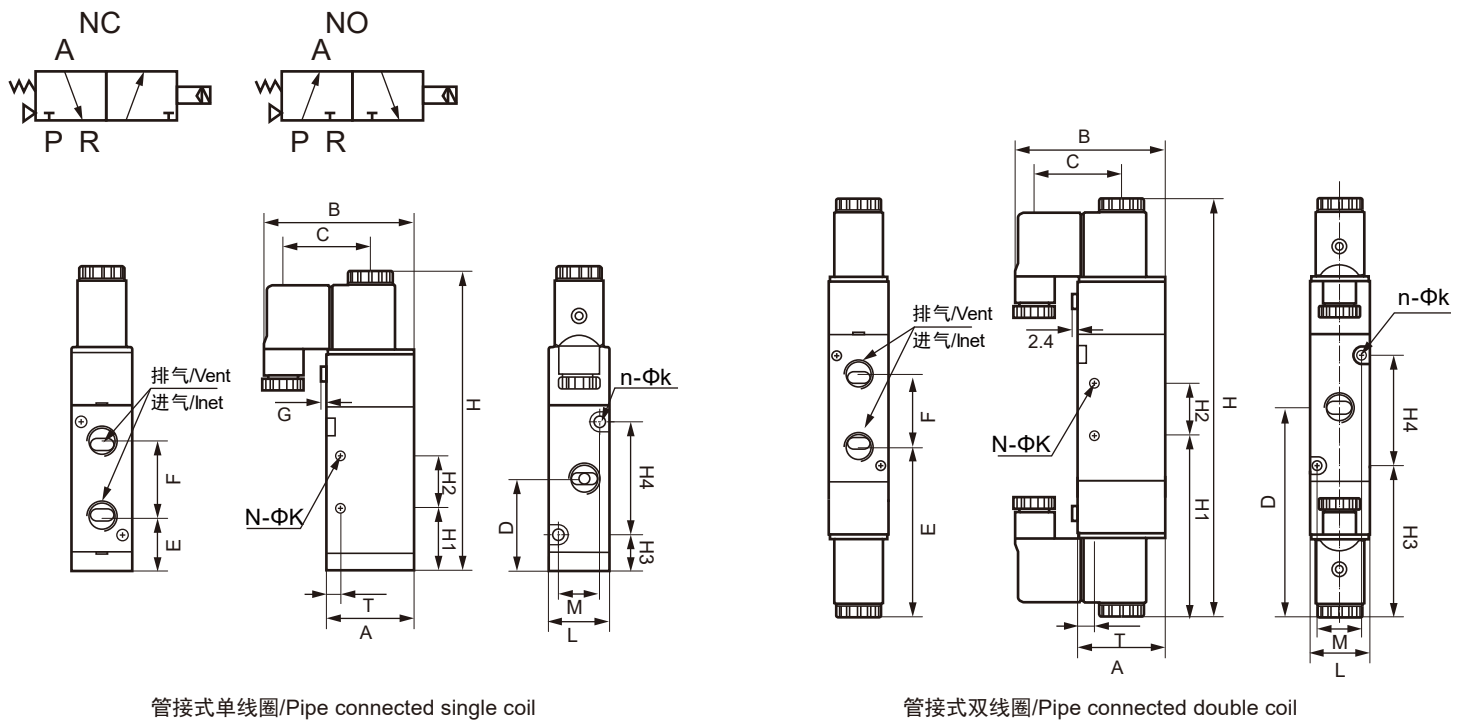
SIZE	L	A	H	B	C	D	E	F	G	ØJ	N-ØK	M	P	进气 /Inet	排气 /Vent
G1/8	22	35	169.8	40	66.5	84.9	66.9	36	3	Ø18X1.4	2-Ø4.3	29	23	3-G1/8	
G1/4	27	40	188.8	40	69	94.4	71.9	45	2.4	Ø20X1.4	2-Ø5.5	32	24	3-G1/4	
G3/8	27	40	188.8	40	69	94.4	71.9	45	2.4	Ø20X1.4	2-Ø5.5	32	24	G3/8	2-G1/4
G1/2	27	55	214.8	40	76.5	112.1	80.6	63	3	Ø27.5X1.4	2-Ø6.5	45	40	3-G1/2	

管接式/Pipe connector type

SIZE	L	A	H	B	C	D	E	F	G	N-ØK	n-Øk	H1	H2	H3	H4	H5	H6	T	M	进出气 /INET	排气 /Vent
G1/8	22	35	169.8	40	66.5	84.9	66.9	36	3	2-Ø4.3	2-Ø3.2	74.9	20	75.9	18	65.9	38	7	17	5-G1/8	
G1/4	27	40	188.8	40	69	94.4	71.9	45	2.4	2-Ø4.3	2-Ø4.3	82.4	24	83.4	22	69.4	50	6.5	20	5-G1/4	
G3/8	27	40	188.8	40	69	94.4	71.9	45	2.4	2-Ø4.3	2-Ø4.3	82.4	24	83.4	22	69.4	50	6.5	20	3-G3/8	2-G1/4
G1/2	34	50	224.2	40	73.8	112.1	80.6	63	3	2-Ø5.5	2-Ø4.3	98.1	28	94.1	36	76.1	72	7.5	26	5-G1/2	

## 尺寸/Dimension

### 两位三通电磁阀/2/3-way solenoid valve



#### 单线圈/Single coil

SIZE	L	A	H	B	C	D	E	F	G	N-ΦK	n-Φk	H1	H2	H3	H4	T	M	进出气 /INET	排气 /Vent
G1/8	22	35	111.5	40	66.5	31	21	18	3	2-Ø3.3	2-Ø3.2	15	25	12.5	33	8	17	3-G1/8	
G1/4	27	40	119.4	40	69	32.5	20.5	24	2.4	2-Ø4.3	2-Ø4.3	17.5	30	15	35	10.5	20	3-G1/4	
G3/8	27	40	119.4	40	69	32.5	20.5	24	2.4	2-Ø4.3	2-Ø4.3	17.5	30	15	35	10.5	20	3-G3/8	
G1/2	34	50	137.6	40	73.8	41.25	25.5	31.5	3	2-Ø4.3	2-Ø4.3	15.75	51	-	-	11.5	27	3-G1/2	

#### 双线圈/Double coil

SIZE	L	A	H	B	C	D	E	F	G	N-ΦK	n-Φk	H1	H2	H3	H4	T	M	进出气 /INET	排气 /Vent
G1/8	22	35	165	40	66.5	84.5	74.5	18	3	2-Ø3.3	2-Ø3.2	68.4	25	66	33	8	17	3-G1/8	
G1/4	27	40	174	40	69	87	75	24	2.4	2-Ø4.3	2-Ø4.3	72	30	69.4	35	10.5	20	3-G3/8	
G3/8	27	40	174	40	69	87	75	24	2.4	2-Ø4.3	2-Ø4.3	72	30	69.4	35	10.5	20	3-G3/8	
G1/2	34	50	192.7	40	73.8	96.35	80.6	31.5	3	2-Ø4.3	2-Ø4.3	70.85	51	76.1	40.5	13.5	27	3-G1/2	