



## 规格

### 设计

一体化阀体，坚固防止变形，避免半阀体型可能的泄漏；  
 预制支撑板，坚固、轻便，环氧涂漆；  
 保护钢板或不锈钢，为安装设备预留安装孔；限位开关、电磁阀、保护罩(CE)；  
 刀型闸板精加工并抛光；  
 位置指示，指示阀板的位置；  
 对阀座无损坏

### 操作

手动 电动 气动

### 连接

对夹式: ANSI150 GB PN10

### 压力范围

PN0~PN10

### 温度范围

NBR: -20°C - +85°C  
 EPDM: -20°C - +120°C  
 VITON: -20°C - +150°C  
 金属密封: MAX. 500°C

### 材料

阀体: GGG40  
 CF8  
 CF8M

阀板: 304  
 316

密封: NBR/EPDM/VITON/金属

### 温度范围

-10°C - +80°C

### 气源介质

3~8bar

### 选项

两位三通或两位五通阀, 其他请咨询

## Specification

### DESIGN

One-piece valve body, robust and resistant to deformation, avoiding possible leaks of the half-body type;  
 Prefabricated support plate, robust, lightweight, epoxy painted; Protective steel or stainless steel with mounting holes for mounting equipment; limit switches, solenoid valves, protective covers (CE); Knife gates finished and polished; Position indicators to indicate the position of the valve plate; No damage to the valve seat

### OPERATION

Manual, electric, pneumatic

### CONNECTION

Wafer: ANSI150 GB PN10

### PRESSURE RANGE

PN0~PN10

### TEMPERATURE RANGE

NBR: -20°C - +85°C  
 EPDM: -20°C - +120°C  
 VITON: -20°C - +150°C  
 Metal seal: MAX. 500°C

### MATERIALS

Body: GGG40  
 CF8  
 CF8M

Disc: 304  
 316

Seal: NBR/EPDM/VITON/Metal

### EXTERNAL TEMPERATURE RANGE

-10°C - +80°C

### PILOT MEDIA

3~8bar

### OPTIONS

3/2 or 5/2-way valve, Others on request

型号:  
 DBL/DAL-NB/DAL-LR

手动刀闸阀/气动刀闸阀  
 电动刀闸阀  
 PN10/150LB

GGG40  
 CF8  
 CF8M



Type:  
 DBL/DAL-NB/DAL-LR

Hand operated knife gate valve/  
 Pneumatic knife gate valve/  
 Electric knife gate valve  
 PN10  
 150LB  
 GGG40  
 CF8  
 CF8M

举例说明: 比如 DBL3342518

=手动刀闸阀, CF8/304, NBR, PN10, 对夹, DN50  
 刀闸阀

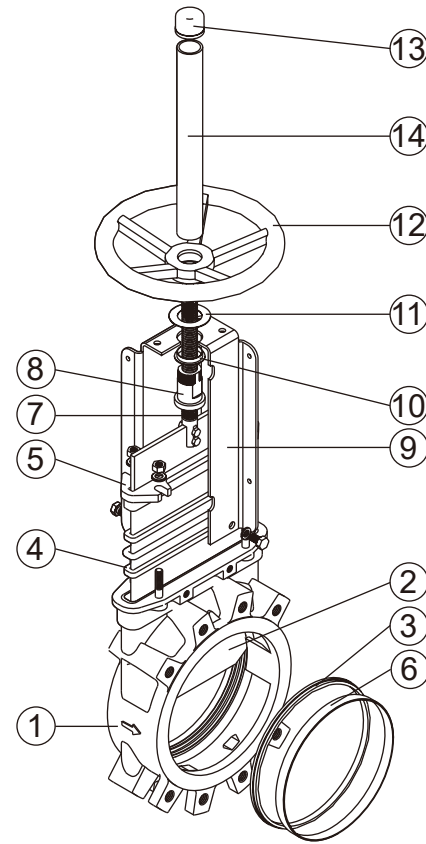
1.字符 产品	2+3.字符 阀体/内件	4.字符 密封	5.字符 压力标准	6.字符 连接	7 + 8.字符 口径
DBL=手动刀闸阀 DAL-NB=气动刀闸阀 DAL-LR=电动刀闸阀	03=GGG40/304 04=GGG40/316 33=CF8/304 44=CF8M/316 34=CF8/316	4=NBR 6=VITON 7=EPDM D=金属	2=PN10 3=150LB	5=对夹 A=美标对夹	18=2" 25=10" 32=28" 19=2-1/2" 26=12" 33=30" 20=3" 27=14" 34=32" 21=4" 28=16" 35=34" 22=5" 29=18" 36=36" 23=6" 30=20" 37=38" 24=8" 31=24" 38=40"

Ordering example: e.g. DBL3342518

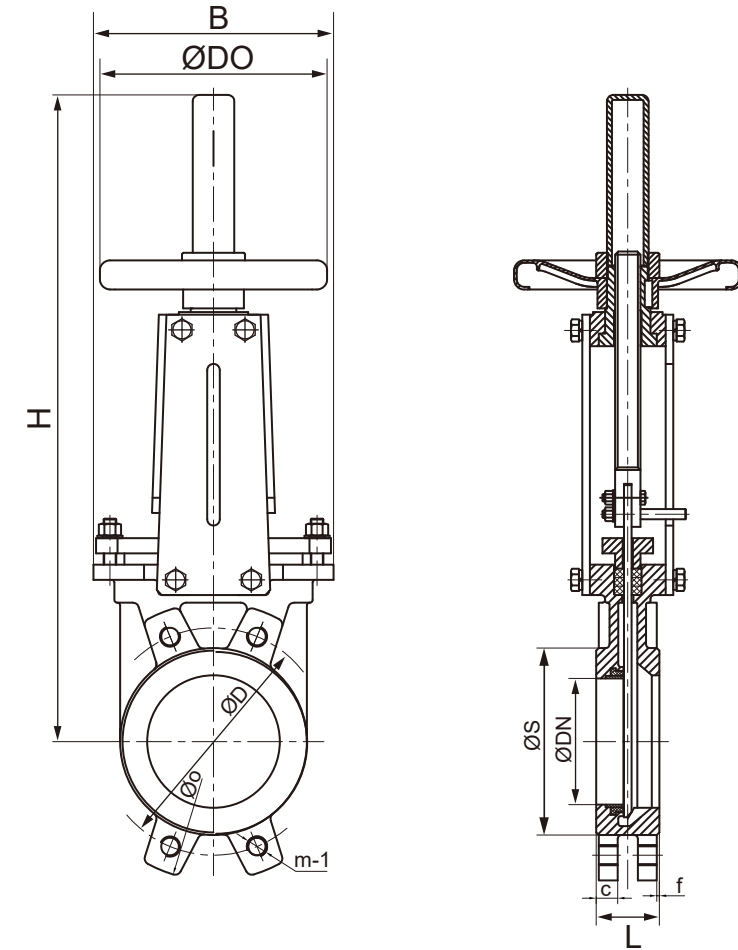
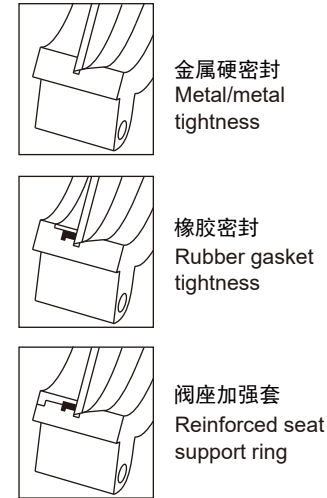
= Hand operated knife gate valve, CF8/304, NBR, PN10, Wafer, DN50

Knife gate valve

A. Type	B+C. Body/Internal	D. Sealing	E. Pressure criteria	F. Connection	G+H. Size
DBL=Hand operated knife gate valve DAL-NB=Pneumatic knife gate valve DAL-LR=Electric knife gate valve	03=GGG40/304 04=GGG40/316 33=CF8/304 44=CF8M/316 34=CF8/316	4=NBR 6=VITON 7=EPDM D=Metal	2=PN10 3=150LB	5=Wafer A=ASME Wafer	18=2" 25=10" 32=28" 19=2-1/2" 26=12" 33=30" 20=3" 27=14" 34=32" 21=4" 28=16" 35=34" 22=5" 29=18" 36=36" 23=6" 30=20" 37=38" 24=8" 31=24" 38=40"



密封性能/TIGHTNESS



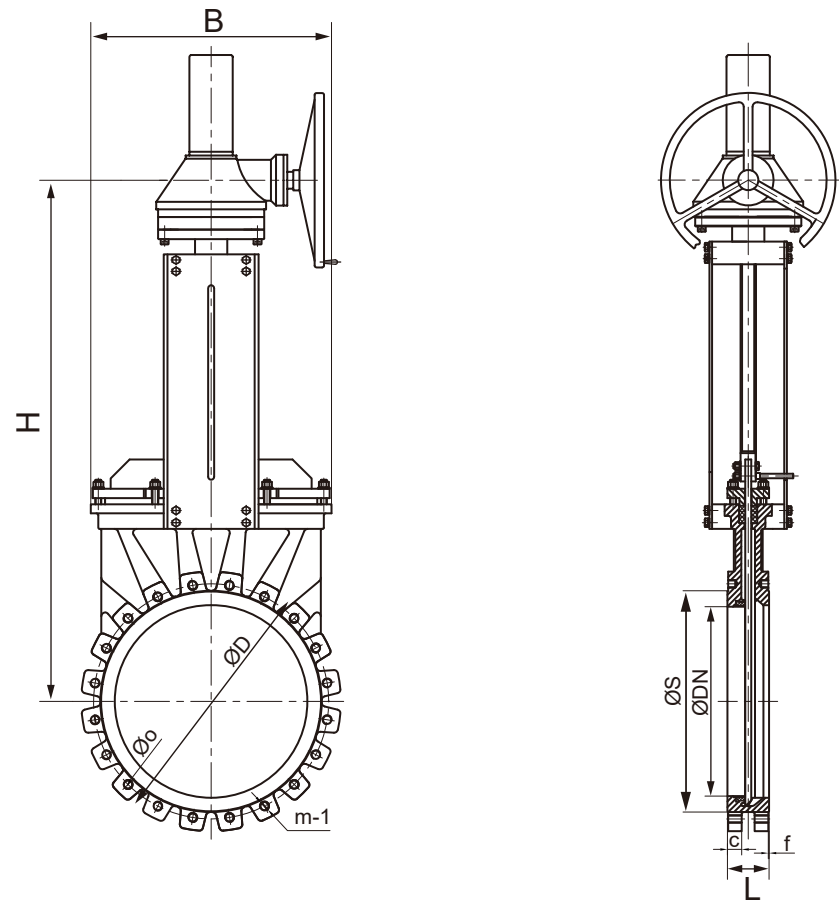
序号	描述	材质
1	阀体	GGG40
		CF8
		CF8M
2	闸板	304
		316
3	密封	NBR/EPDM/VITON/金属
4	填料	PTFE
5	压盖	铝(DN50 to DN300)
		铸铁(DN350 to DN1000)
		不锈钢
6	"A"型圈	304
		316
7	阀杆	不锈钢
8	阀杆螺母	黄铜
9	枷锁	碳钢环氧涂层
10	阀颈	尼龙
11	摩擦盘	黄铜
12	手轮	GGG40
13	帽	塑料
14	阀杆保护装置	碳钢环氧涂层

No.	Description	Material
1	Body	GGG40
		CF8
		CF8M
2	Gate	304
		316
3	Seat	NBR/EPDM/VITON/Metal
4	Packing	PTFE
5	Gland	Aluminium(DN50 to DN300)
		Ductile iron(DN350 to DN1000)
		Stainless steel
6	"A"Ring	304
		316
7	Stem	Stainless steel
8	Stem nut	Brass
9	Yoke	Epoxy-coated Carbon steel
10	Collar	Nylon
11	Friction washer	Brass
12	Handwheel	Ductile iron
13	Cap	Plastic
14	Stem Protector	Epoxy-coated Carbon steel

SIZE	DN	L	O	S	C	f	B	D	H	DO	M-1
2"	50	40	165	95	16	2	136	125	375	180	4-M16
2-1/2"	65	40	185	110	16	2	151	145	420	180	4-M16
3"	80	50	200	127	17	2	170	160	450	200	8-M16
4"	100	50	220	148	17	2	190	180	512	200	8-M16
5"	125	50	250	174	17	2	212	210	570	220	8-M16
6"	150	60	285	199	21	2	230	240	665	250	8-M20
8"	200	60	340	250	21	2	286	295	825	300	8-M20
10"	250	70	395	308	24	2	338	350	1000	350	12-M20
12"	300	70	445	360	24	2	388	400	1155	350	12-M20
14"	350	96	505	416	33	2	460	460	1310	400	16-M20
16"	400	100	565	466	35	2	520	515	1475	500	16-M24

尺寸/Dimension

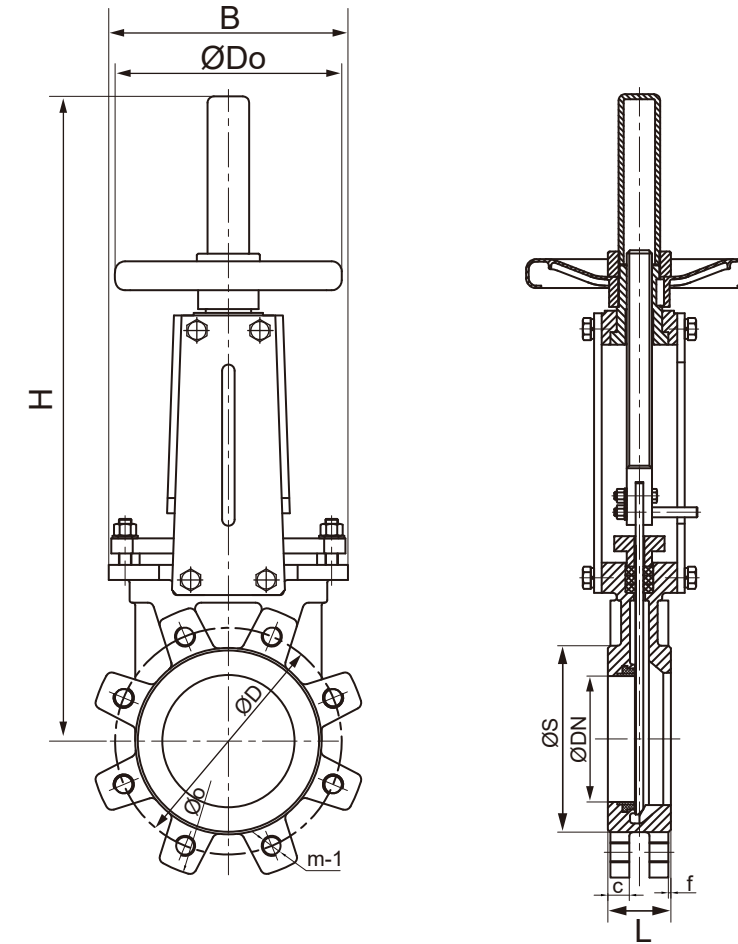
PN10



SIZE	DN		L	O	S	C	f	B	D	H	M-1
	in	mm									
18"	450		106	615	525	36	2	585	565	1170	20-M24
20"	500		110	670	574	37	2	635	620	1280	20-M24
24"	600		110	780	664	37	2	720	725	1485	20-M27
28"	700		110	895	1070	38	2	807	840	1670	20-M27
32"	800		110	1015	955	38	2	922	950	1880	24-M30
36"	900		110	1115	955	38	2	1030	1050	2120	28-M30
40"	1000		110	1230	1080	38	2	1140	1160	2270	28-M33
≥DN1100 请详询											

尺寸/Dimension

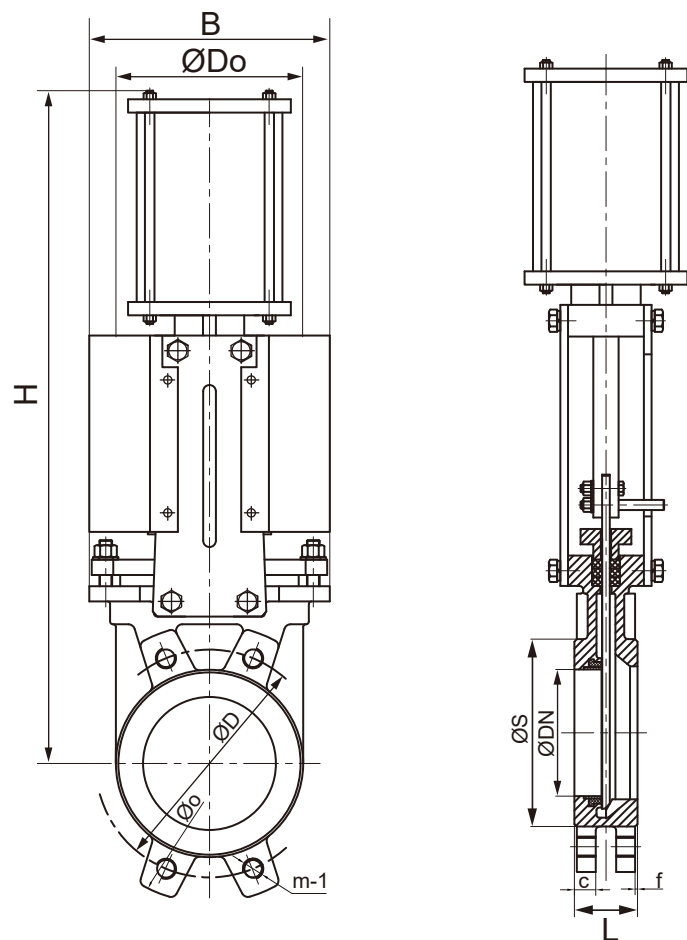
DBL-150LB



DN	L	O	DO	S	C	f	B	D	H	M-(UNC)
2"	48	152	120.5	95	16	1.6	136	120.5	375	4-M5/8"-11
2-1/2"	48	178	139.5	110	16	1.6	151	139.5	420	4-M5/8"-11
3"	51	190	152.5	127	17	1.6	170	152.5	450	4-M5/8"-11
4"	51	229	190.5	148	17	1.6	190	190.5	512	8-M5/8"-11
5"	57	254	216	174	17	1.6	212	216	570	8-M3/4"-10
6"	57	280	241.5	199	21	1.6	230	241.5	665	8-M3/4"-10
8"	70	343	298.5	250	21	1.6	286	298.5	825	8-M3/4"-10
10"	70	406	362	308	24	1.6	338	362	1000	12-M7/8"-9
12"	76	483	432	360	24	1.6	388	432	1155	12-M7/8"-9
14"	76	533	476	416	33	1.6	460	476	1310	12-M1"-8
16"	89	597	540	466	35	1.6	520	540	1475	16-M1"-8
≥ 18" 请详询										

尺寸/Dimension

DAL-NB

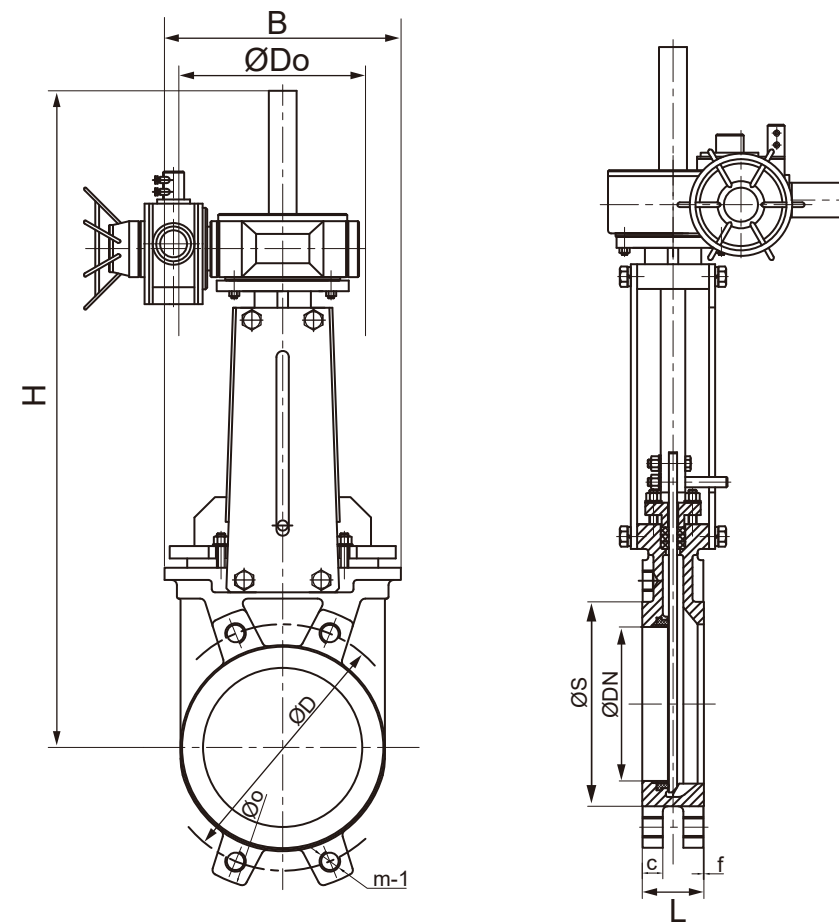


SIZE	DN	L	O	S	C	f	B	D	H	M-1
2"	50	40	165	95	16	2	136	125	430	4-M16
2-1/2"	65	40	185	110	16	2	151	145	460	4-M16
3"	80	50	200	127	17	2	170	160	510	8-M16
4"	100	50	220	148	17	2	190	180	570	8-M16
5"	125	50	250	174	17	2	212	210	660	8-M16
6"	150	60	285	199	21	2	230	240	720	8-M20
8"	200	60	340	250	21	2	286	295	890	8-M20
10"	250	70	395	308	24	2	338	350	1120	12-M20
12"	300	70	445	360	24	2	388	400	1230	12-M20
14"	350	96	505	416	33	2	460	460	1370	16-M20
16"	400	100	565	466	35	2	520	515	1570	16-M24
18"	450	106	615	525	36	2	585	565	1720	20-M24
20"	500	110	670	584	37	2	635	620	1850	20-M24
24"	600	110	780	664	37	2	720	725	2150	20-M27

≥DN700 请详询

尺寸/Dimension

DAL-LR



SIZE	DN	L	O	S	C	f	B	D	H	M-1
2"	50	40	165	95	16	2	136	125	640	4-M16
2-1/2"	65	40	185	110	16	2	151	145	670	4-M16
3"	80	50	200	127	17	2	170	160	695	8-M16
4"	100	50	220	148	17	2	190	180	755	8-M16
5"	125	50	250	174	17	2	212	210	810	8-M16
6"	150	60	285	199	21	2	230	240	875	8-M20
8"	200	60	340	250	21	2	286	295	1010	8-M20
10"	250	70	395	308	24	2	338	350	1125	12-M20
12"	300	70	445	360	24	2	388	400	1280	12-M20
14"	350	96	505	416	33	2	460	460	1410	16-M20
16"	400	100	565	466	35	2	520	515	1560	16-M24
18"	450	106	615	525	36	2	585	565	1730	20-M24
20"	500	110	670	584	37	2	635	620	1850	20-M24
24"	600	110	780	664	37	2	720	725	2125	20-M27
28"	700	110	895	1070	38	2	807	840	2480	24-M27
32"	800	110	1015	955	38	2	922	950	2860	24-M30
36"	900	110	1115	870	38	2	1030	1050	3090	24-M30
40"	1000	110	1230	760	38	2	1140	1160	3315	24-M27

≥DN1100 请详询